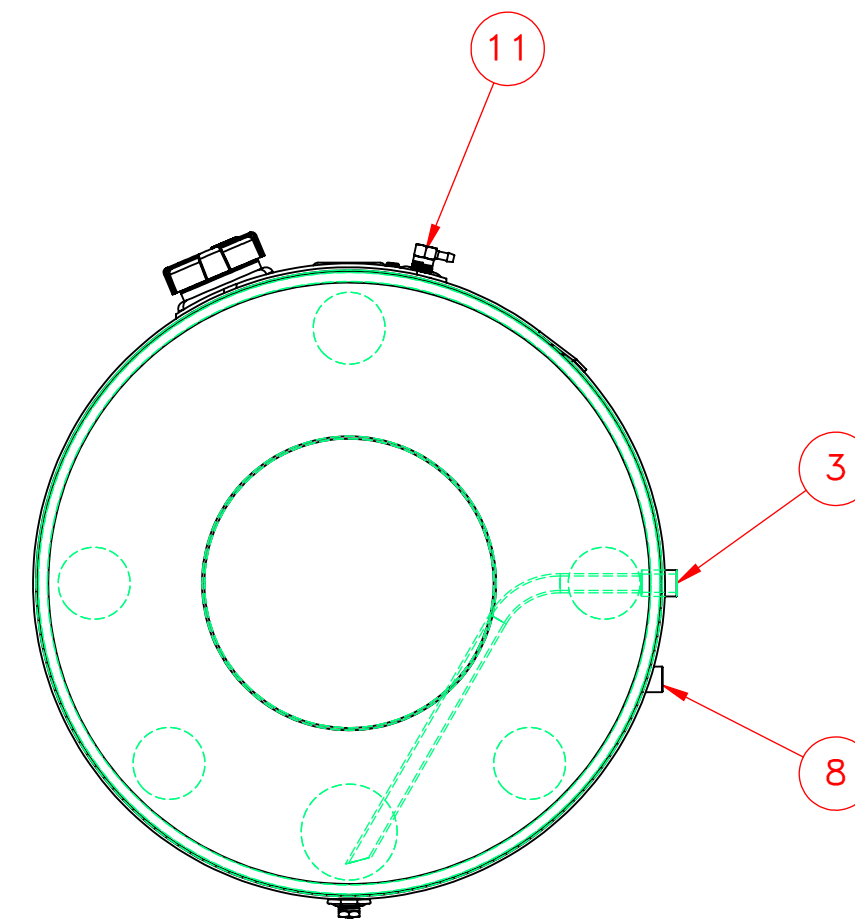
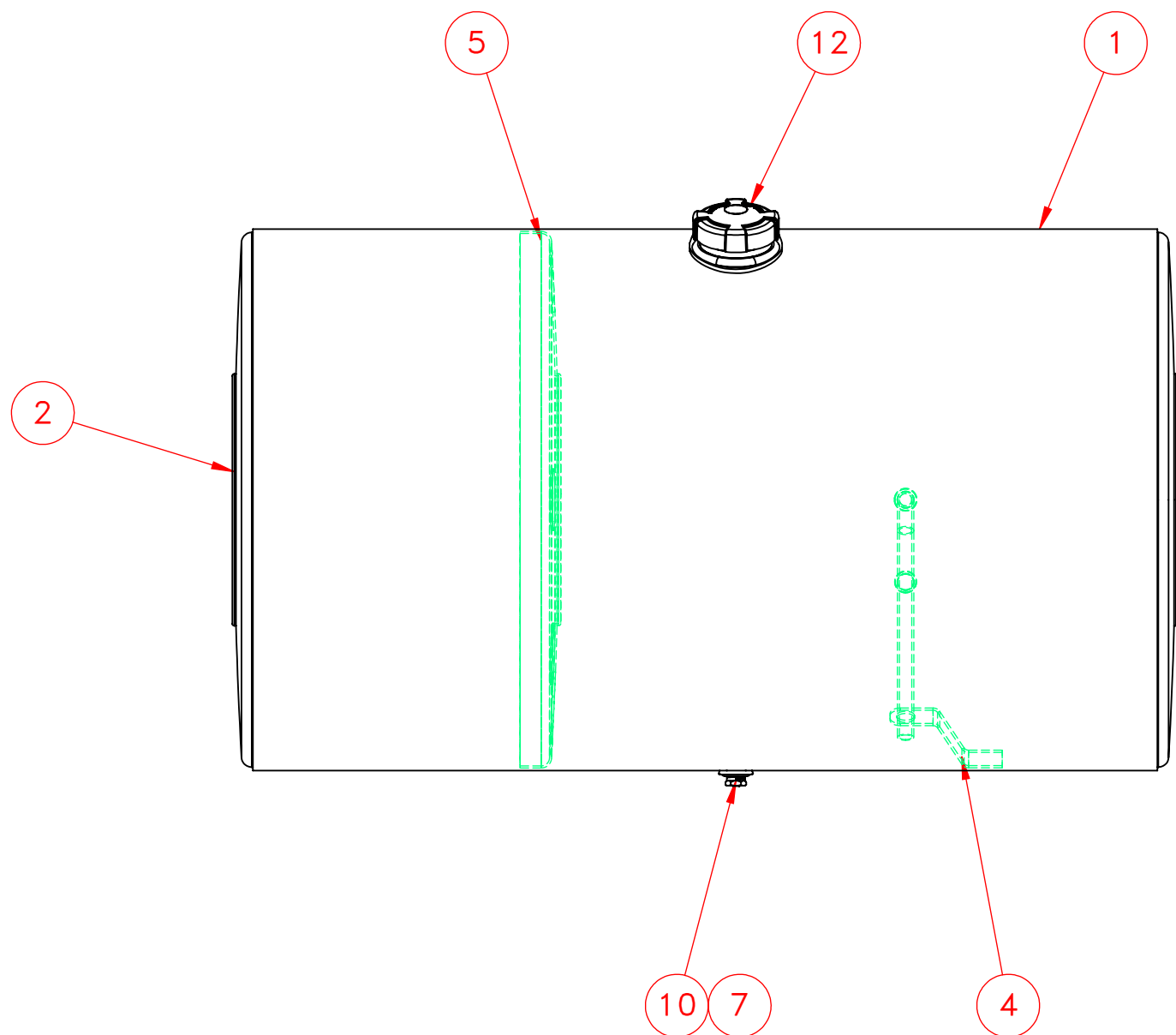
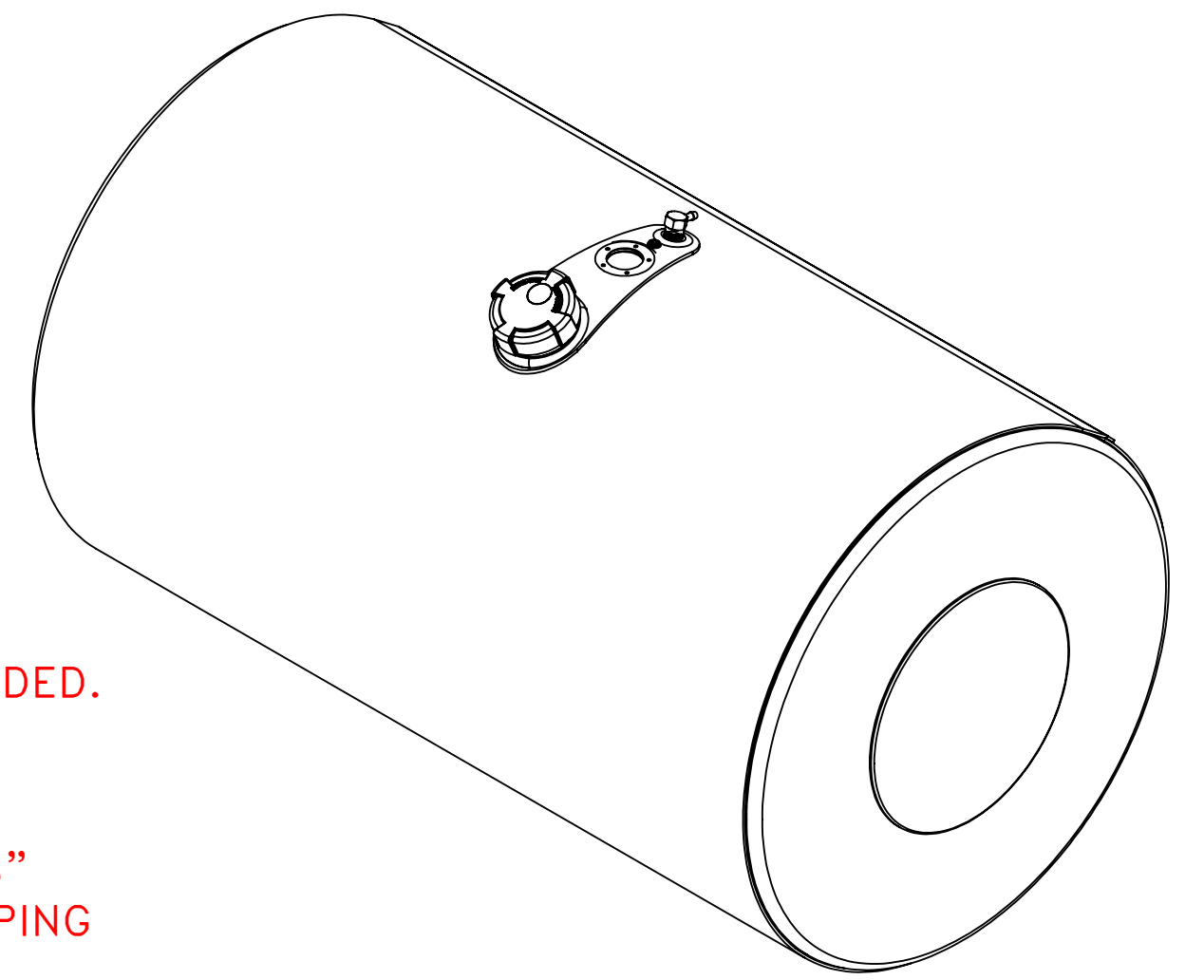


NOTES FOR STANDARD CONSTRUCTION:  
 ...MEETS FMCSA REQUIREMENTS.  
 ...PRESSURE TESTED @ 5psi  
 ...INTERIOR FREE OF FOREIGN MATTER.  
 ...FILLER CAP, DRAIN PLUG & VENT PROVIDED.  
 ...FULL BAFFLE(S) WHERE SHOWN  
 ...ALUMINUM CONSTRUCTION:  
 5052-H32 ALUMINUM, BRIGHT FINISH  
 HEADS ARE 0.100" & SHELL IS 0.125"  
 ...ALL OPENINGS PLUGGED PRIOR TO SHIPPING



ITEM NO.	PART NUMBER	DESCRIPTION	QTY.
1	116-0873	1/8" Auminum Wrap	1
2	160-0056	26" Aluminum Head	2
3	490-0114	1/2" NPT Draw	1
4	490-3001	Down Tube Support	1
5	162-0056	26" Aluminum Baffle	1
6	260-0734	Aluminum 3" Filler/Float/Vent Plate	1
7	260-0005	1/2" FNPT Aluminum weld flange	1
8	312-0006	1/2" NPT Coupling	1
9	368-0005	1/4" NPT Brass Drain Plug Hex	1
10	458-0100	1/2" NPT Ball Check Drain Plug	1
11	454-0937	1/2" NPT Ball Check Vent	1
12	452-1628	Fuel Cap 3" Pressure Relief	1

UNLESS OTHERWISE SPECIFIED: DIMENSIONS ARE IN INCHES TOLERANCES: FRACTIONAL ± 1/16 ANGULAR: MACH ± 1° BEND ± 1° TWO PLACE DECIMAL ± .06 THREE PLACE DECIMAL ± .031	DRAWN	NAME	DATE	PROPPOWER MFG. INC. WINDSOR, ONTARIO, CANADA Ph: 519-737-1197 Fax: 519-737-1918 TOLL FREE 1-877-741-2365 Web: metaltanks.com TITLE: <b>MK-R26CFA46</b> <b>106 US GROSS GALLONS</b> <b>100 USEBLE GALLONS</b> <b>DIESEL FUEL TANK</b>	
	CHECKED	A.B	09/01/16		
	ENG APPR.				
	MFG APPR.				
INTERPRET GEOMETRIC TOLERANCING PER:	MATERIAL			Q.A.	
	ALUMINUM			COMMENTS:	
FINISH	DO NOT SCALE DRAWING			THIRD ANGLE PROJECTION	
PROPRIETARY AND CONFIDENTIAL THE INFORMATION CONTAINED IN THIS DRAWING IS THE SOLE PROPERTY OF PROPPOWER MFG. INC. ANY REPRODUCTION IN PART OR AS A WHOLE WITHOUT THE WRITTEN PERMISSION OF PROPPOWER MFG. INC. IS PROHIBITED.				SIZE DWG. NO. <b>C 21112</b> REV SCALE: 1:8 WEIGHT: 67 LBS SHEET 1 OF 2	