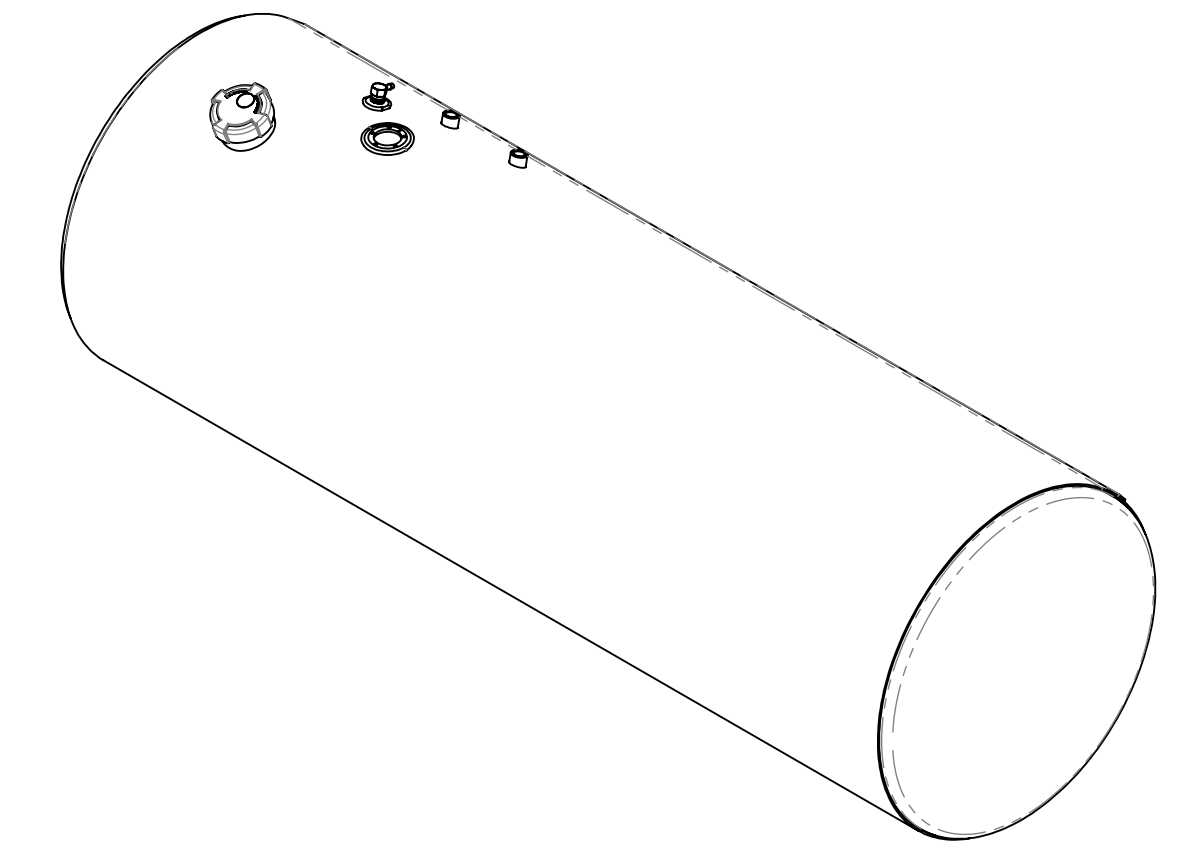
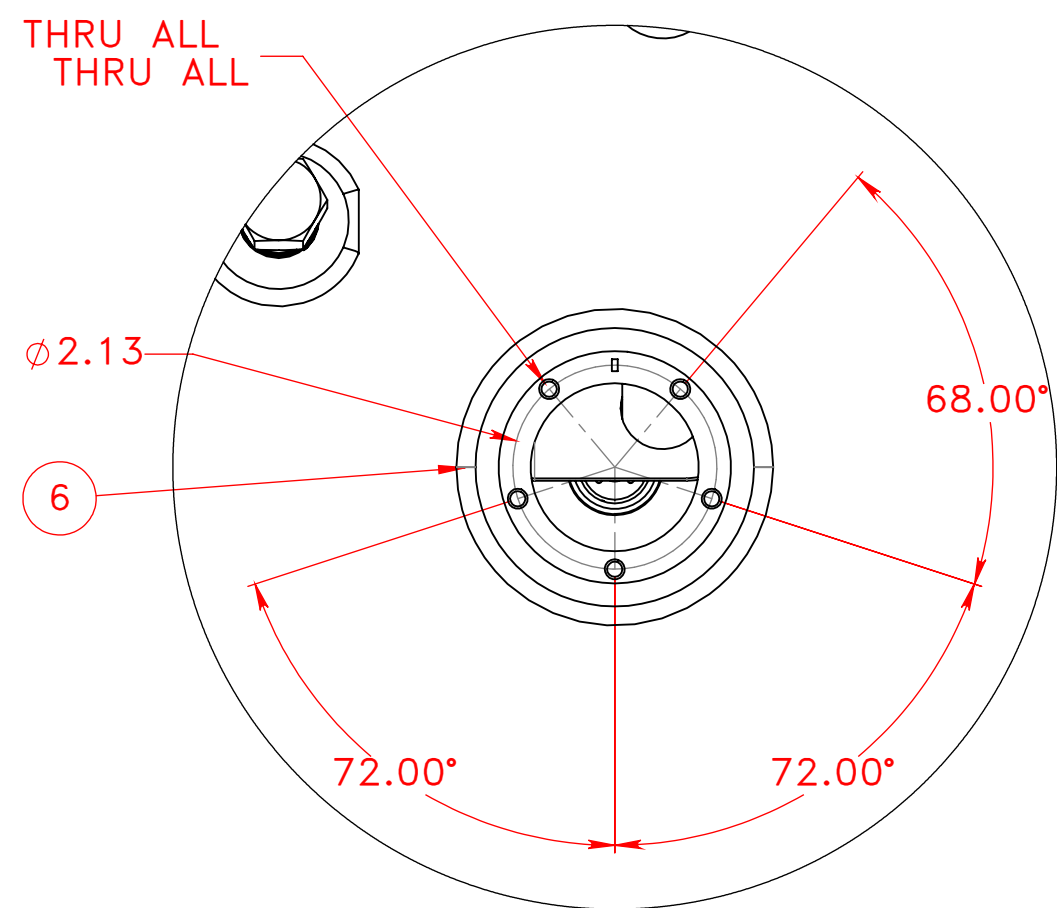


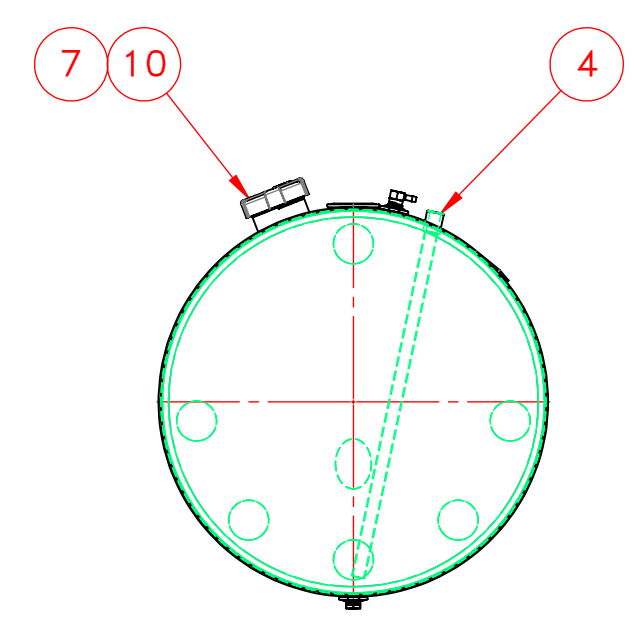
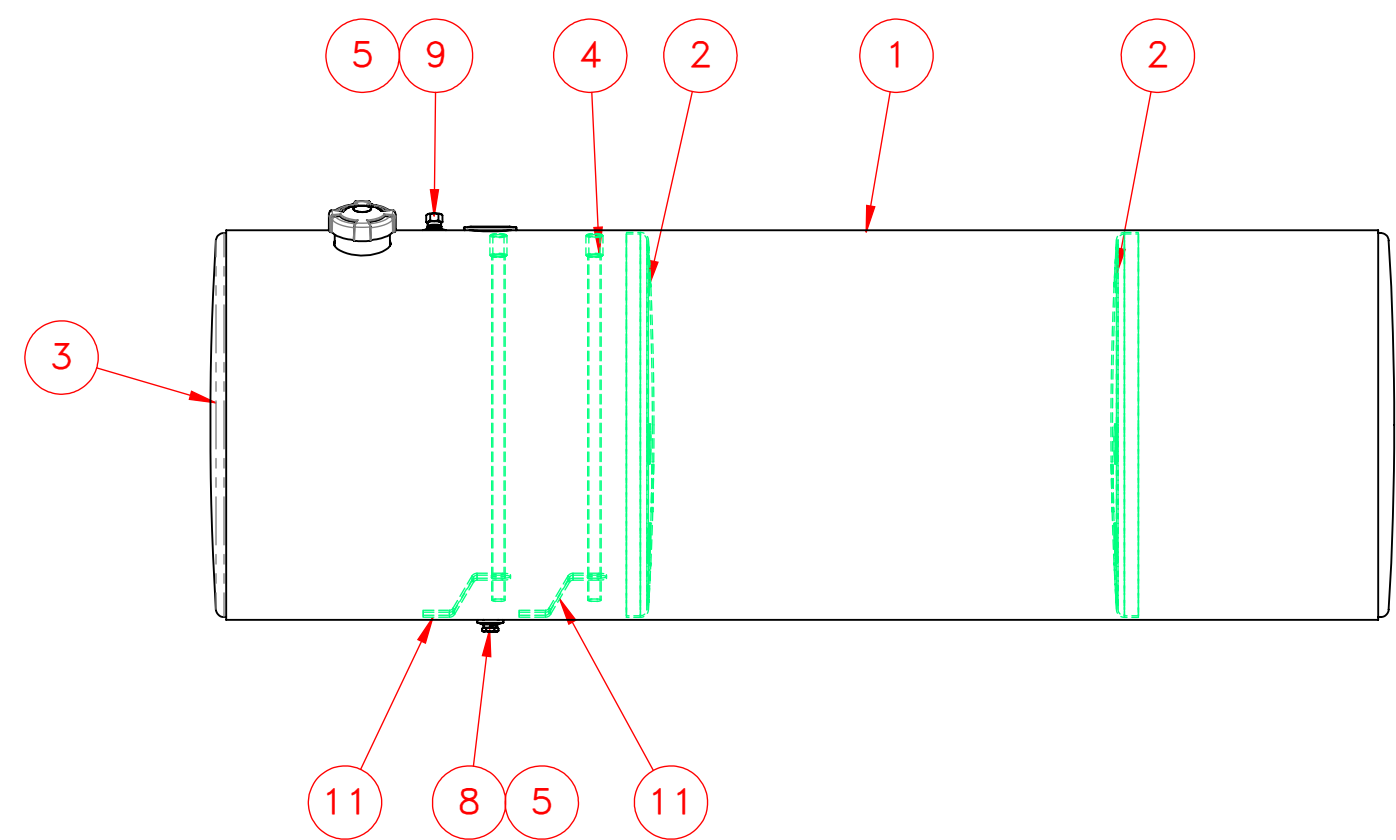
5X ϕ .16 THRU ALL
10-32 UNF THRU ALL



DETAIL A
SCALE 1 : 2

NOTES FOR STANDARD CONSTRUCTION:
 ...MEETS FMCSA REQUIREMENTS.
 ...PRESSURE TESTED @ 5psi
 ...INTERIOR FREE OF FOREIGN MATTER.
 ...FILLER CAP, DRAIN PLUG & VENT PROVIDED.
 ...FULL BAFFLE(S) WHERE SHOWN
 ...ALUMINUM CONSTRUCTION:
 5052-H32 ALUMINUM, BRIGHT FINISH
 HEADS ARE 0.100" & SHELL IS 0.125"
 ...ALL OPENINGS PLUGGED PRIOR TO SHIPPING

ITEM NO.	PART NUMBER	DESCRIPTION	QTY.
1	116-0263	1/8" Aluminum Wrap	1
2	162-0054	24" Baffle	2
3	160-0054	24" Head 0.100" Aluminum	2
4	490-0100	1/2" NPT Down Tube	2
5	260-0005	1/2" FNPT Aluminum weld flange	2
6	265-0009	Aluminum Float Riser	1
7	316-0014	3" Aluminum Filler Neck	1
8	458-0100	1/2" NPT Ball Check Drain Plug	1
9	454-0937	1/2" NPT Ball Check Vent	1
10	452-1628	Fuel Cap 3" Pressure Relief	1
11	490-3001	Down Tube Support	2



PROPRIETARY AND CONFIDENTIAL
 THE INFORMATION CONTAINED IN THIS DRAWING IS THE SOLE PROPERTY OF PROPOWER MFG. INC. ANY REPRODUCTION IN PART OR AS A WHOLE WITHOUT THE WRITTEN PERMISSION OF PROPOWER MFG. INC. IS PROHIBITED.

UNLESS OTHERWISE SPECIFIED:	DRAWN	NAME	DATE
DIMENSIONS ARE IN INCHES	CHECKED	A.B	12/06/12
TOLERANCES:	ENG APPR.		
FRACTIONAL \pm 1/16	MFG APPR.		
ANGULAR: MACH \pm 1° BEND \pm 1°	Q.A.		
TWO PLACE DECIMAL \pm .06	COMMENTS:		
THREE PLACE DECIMAL \pm .031			
INTERPRET GEOMETRIC TOLERANCING PER:			
MATERIAL	ALUMINUM		
FINISH			
DO NOT SCALE DRAWING	THIRD ANGLE PROJECTION		

PROPOWER MFG. INC.
 WINDSOR, ONTARIO, CANADA
 Ph: 519-737-1197 Fax: 519-737-1918
 TOLL FREE 1-877-741-2365 Web: metaltanks.com

TITLE:
 FD-24CFA74
 145 US GROSS GALLONS
 137 USEBLE GALLONS
 DIESEL FUEL TANK

SIZE DWG. NO. REV
C 14570

SCALE: 1:12, WEIGHT: 95 LBS SHEET 1 OF 2