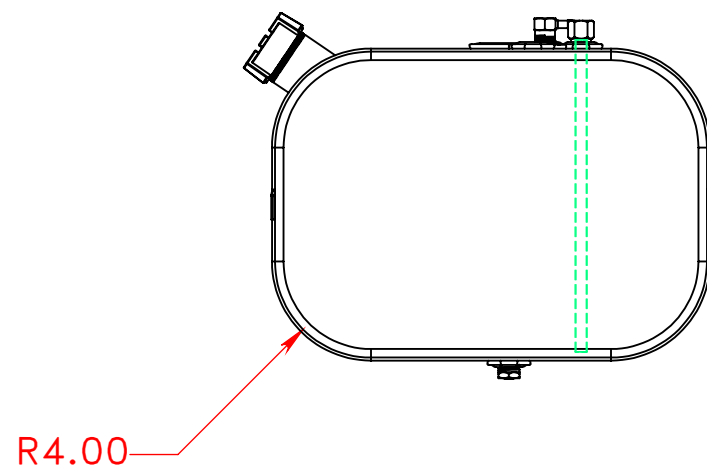
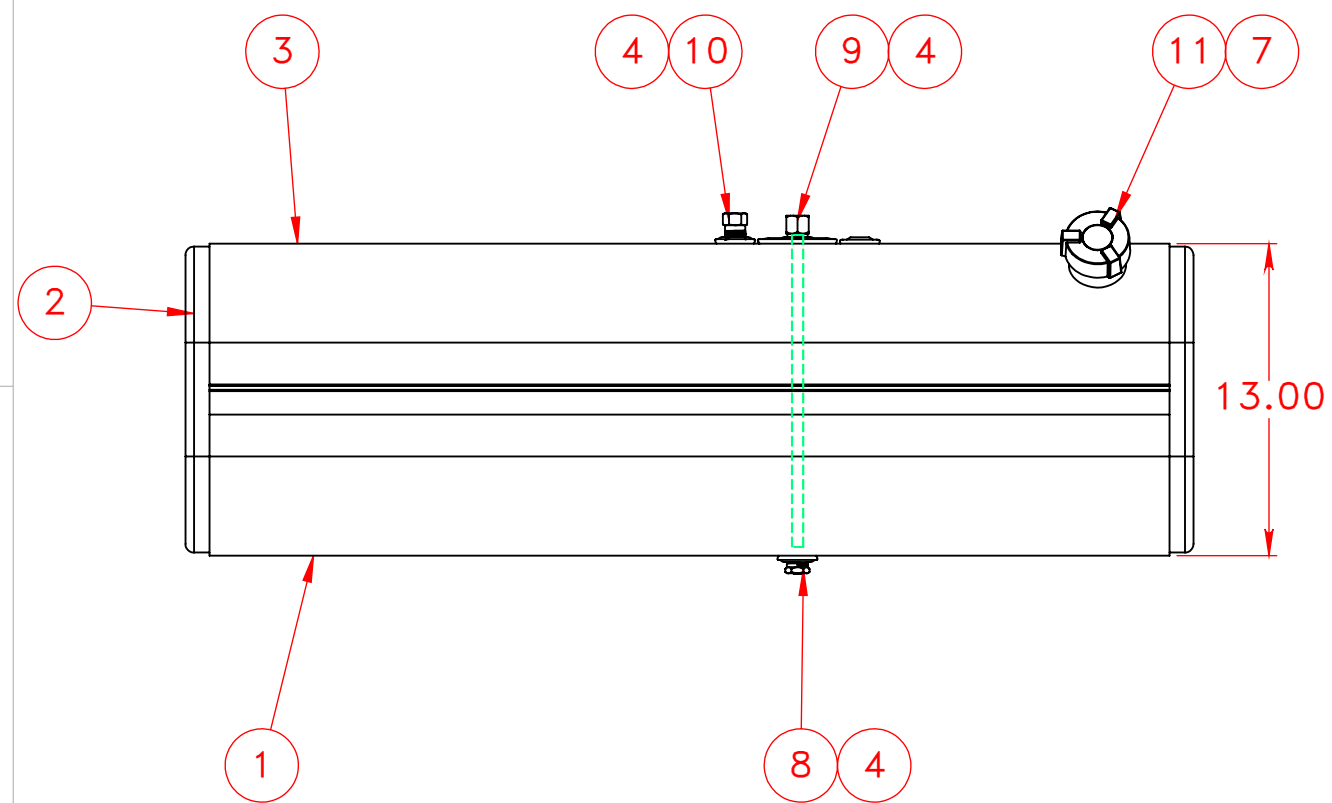


**DETAIL A  
SCALE 1 : 2**



**NOTES FOR STANDARD CONSTRUCTION:**  
 ...MEETS FMCSA REQUIREMENTS.  
 ...PRESSURE TESTED @ 5psi  
 ...INTERIOR FREE OF FOREIGN MATTER.  
 ...FILLER CAP, DRAIN PLUG & VENT PROVIDED.  
 ...FULL BAFFLE(S) WHERE SHOWN  
 ...ALUMINUM CONSTRUCTION:  
 5052-H32 ALUMINUM, BRIGHT FINISH  
 HEADS ARE 0.100" & SHELL IS 0.125"  
 ...ALL OPENINGS PLUGGED PRIOR TO SHIPPING

ITEM NO.	PART NUMBER	DESCRIPTION	QTY.
1	116-0769	1/8" Aluminum Bottom Wrap	1
2	160-0009	13x18 Aluminum Head	2
3	116-0770	1/8" Aluminum Top Wrap	1
4	260-0005	1/2" FNPT Aluminum weld flange	4
5	260-0003	3/8" FNPT Aluminum weld flange	1
6	265-0010	Aluminum Float Riser	1
7	316-0004	2" Aluminum Filler Neck	1
8	458-0100	1/2" NPT Ball Check Drain Plug	1
9	490-0013-Z	1/2" NPT Down Tube	1
10	454-0937	1/2" NPT Ball Check Vent	1
11	452-0998	2" Thermal Relief Fuel Cap	1

<p><b>PROPRIETARY AND CONFIDENTIAL</b>          THE INFORMATION CONTAINED IN THIS DRAWING IS THE SOLE PROPERTY OF PROPOWER MFG. INC. ANY REPRODUCTION IN PART OR AS A WHOLE WITHOUT THE WRITTEN PERMISSION OF PROPOWER MFG. INC. IS PROHIBITED.</p>	UNLESS OTHERWISE SPECIFIED:	DRAWN	NAME	DATE	<p><b>PROPOWER MFG. INC.</b>          WINDSOR, ONTARIO, CANADA          Ph: 519-737-1197 Fax: 519-737-1918          TOLL FREE 1-877-741-2365 Web: metaltanks.com</p>	
	DIMENSIONS ARE IN INCHES	CHECKED	A.B	03/02/16		
	TOLERANCES: FRACTIONAL ± 1/16 ANGULAR: MACH ± 1° BEND ± 1° TWO PLACE DECIMAL ± .06 THREE PLACE DECIMAL ± .031	ENG APPR.				TITLE:
	INTERPRET GEOMETRIC TOLERANCING PER: MATERIAL	MFG APPR.				<p><b>FD-R13-18RFA42</b>  <b>40 US GROSS GALLONS</b>  <b>38 USEBLE GALLONS</b>  <b>DIESEL FUEL TANK</b></p>
	FINISH	COMMENTS:	<p>SCALE: 1:8 WEIGHT: 35 lbs SHEET 1 OF 2</p>		<p>SIZE DWG. NO. <b>20111</b> REV</p>	
	DO NOT SCALE DRAWING	THIRD ANGLE PROJECTION				